

SMARC® 2.1.1 module based on Intel® x7000E, x7000RE Series

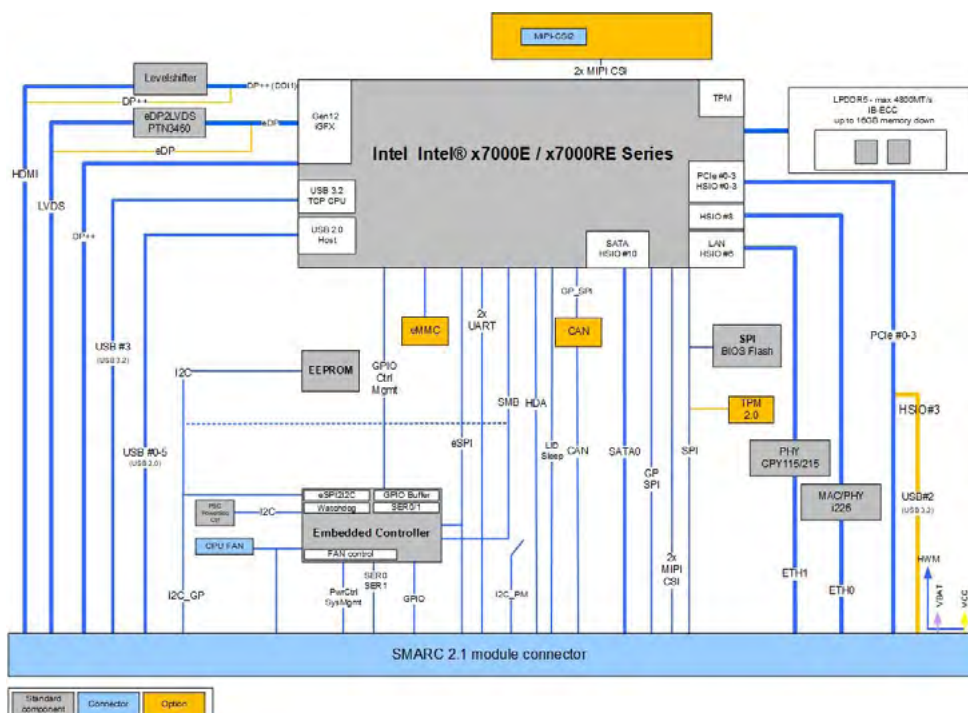
- ▶ Up to 16 GByte LPDDR5 memory down with inband ECC support
- ▶ Dual LVDS, HDMI, DP++
- ▶ 1x USB 3.2, 6x USB 2.0, eMMC onboard
- ▶ Industrial grade temperature



Technical Information

FEATURES	DESCRIPTION
COMPLIANCE	SMARC module 2.1.1
DIMENSIONS (H X W X D)	82 x 50 mm
CPU	Intel Amston Lake SKUs – Industrial RE-Series
CHIPSET	-
MAIN MEMORY	Up to 16 GByte LPDDR5 memory down with inband ECC support
GRAPHICS CONTROLLER	Gen 12 IGFX
ETHERNET	Up to 2.5GbE
STORAGE	1x SATA 6Gb/s
FLASH ONBOARD	up to 256 GByte eMMC (TLC)
PCI EXPRESS®	up to 4x PCIe x1
PANEL SIGNAL	1x HDMI (on request DP++), 1x DP++, 1x Dual LVDS (on request eDP)
USB	1x USB 3.2, 6x USB 2.0
SERIAL	4x UART (2x RX/TX only)
OTHERS FEATURES	HD Audio, I²C, 2x SPI, 14x GPIOs
SPECIAL FEATURES	Trusted Platform Module TPM 2.0 Industrial Temperature Grade versions
FEATURES ON REQUEST	eMMC: up to 85 GByte pSLC RAM: from 2 GByte to 16 GByte LPDDR5 MIPI CSI, CAN
BIOS	AMI UEFI
OPERATING SYSTEM	Windows® 10 (IOT) Enterprise x64, Windows® 11, Linux
POWER SUPPLY	5V only! No Widerange
TEMPERATURE	Industrial grade: -40 °C to +85 °C operating, -40 °C to +85 °C non-operating
HUMIDITY	93 % relative Humidity at 40 °C, non-condensing (according to IEC 60068-2-78)

Block Diagram



Standard Variants

ARTICLE	PART NO.	DESCRIPTION
SMARC-SXAS E2 X7211RE 4G/32G	51018-0432-R1-2	SMARC with Intel Atom® x7211RE, 2 core, 1.0GHz, 4GB LPDDR5 memory down, 32GB eMMC TLC, industrial temperature
SMARC-SXAS E2 X7213RE 4G/32G	51018-0432-R2-2	SMARC with Intel Atom® x7213RE, 2 core, 2.0GHz, 4GB LPDDR5 memory down, 32GB eMMC TLC, industrial temperature
SMARC-SXAS E2 X7433RE 4G/32G	51018-0432-R2-4	SMARC with Intel Atom® x7433RE, 4 core, 1.5GHz, 4GB LPDDR5 memory down, 32GB eMMC TLC, industrial temperature
SMARC-SXAS E2 X7835RE 8G/32G	51018-0832-R2-8	SMARC with Intel Atom®x67835RE, 8 core, 1.3GHz, 8GB LPDDR5 memory down, 32GB eMMC TLC, industrial temperature

Carrier

ARTICLE	PART NO.	DESCRIPTION
SMARC EVALUATION CARRIER 2.1	51301-0000-00-0	SMARC Evaluation Carrier for SMARC modules according to the SMARC 2.1 standard (without SMARC module)

Cooling

ARTICLE	PART NO.	DESCRIPTION
HSP SMARC-SXAS	51018-0000-99-1	Heatspreader for SMARC-sXAS

Headquarters

congatec GmbH

Auwiesenstraße 5
94469 Deggendorf, Germany
Phone: +49 (991) 2700-0

info@congatec.com
www.congatec.com

Subsidiary

JUMPtEC GmbH

Brunnwiesenstraße 16
94469 Deggendorf, Germany
Phone: + 49 991 37024-0

info@jumptec.com

