

Specification

COM Express Compatibility	COM Express® Type 10
Gigabit Ethernet	2 x 10/100/1000 Ethernet Ports
USB 3.0	2 x USB 3.0 Ports
USB 2.0	4 x USB 2.0 Ports
Serial port	4 x RS-232 3pin or 2 x RS-232&1x RS-422/485 (option)
GPIO	4 x DI & 4 x DO
HDMI/DVI	1 x HDMI/DVI
LVDS/eDP	1 x Single Channel 18/24-bit LVDS or 1xeDP
HD Audio	1 x Audio (Mic In & Line Out)
mini-PCIe/mSATA	1x mini-PCIe slot (mini-PCIe2 or mSATA and USB interface) 1x mini-PCIe slot (mini-PCIe1 and USB interface)
3G/4G/5G	1x Micro Sim Card (from Mini-PCIe1)
IIC BUS	1x IIC BUS
SMBUS	1x SMBUS
Power Control &LED	Reference manual
Input Power	Wide Range DC in+9V~+36V
Dimensions	84mm x55mm
Operating Temperature	0 °C ~+60 °C Industrial:-40 °C ~+ 85 °C 5 ~ 95%, non-condensing

COM Express®

FEATURES

*COM Express type10 CPU Module
System*



Extremely small size 84mm x 55mm

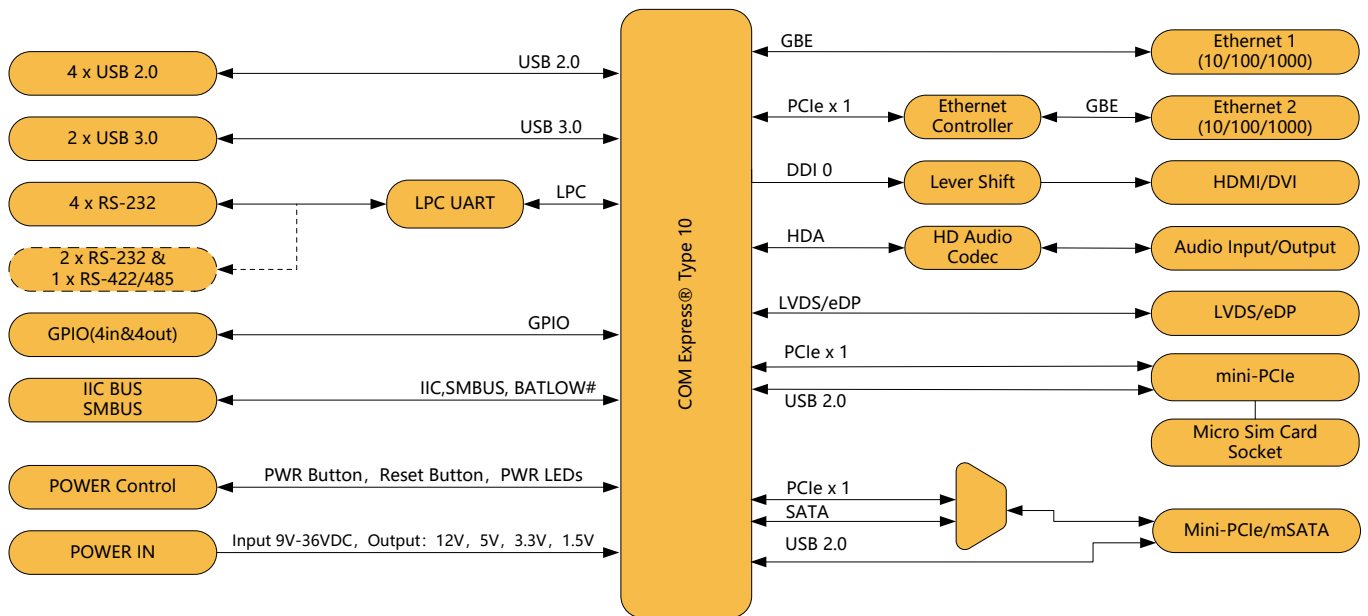
All ruggedized latching connectors

*Support for the latest generation of
low-powered CPUs*

Extended Temperature Range

9V~36V wide range DC input

Block Diagram



Order Information

Part Number ^[1]	Description
CT101	4 x RS-232 3pin, LVDS, 2 x Glan, 6x USB, 1 x HDMI/DVI, 1 x Audio, 2x mini-PCle
CT102	4 x RS-232 3pin, EDP, 2 x Glan, 6x USB, 1 x HDMI/DVI, 1 x Audio, 2x mini-PCle
CT10 Cable kit	1x HDMI cable, 2x USB3.0 cable, 2x USB2.0 Cable, 1x RS232 Cable, 2x Lan Cable, 1x Audio, 1x power cable
COM Express Module	
Conga-ma3	E3845\E3827\E3826\E3815\N2930\N2807
Conga-ma5	E3950\E3940\E3930\N4200\N3350

[1] For more order information, please contact us